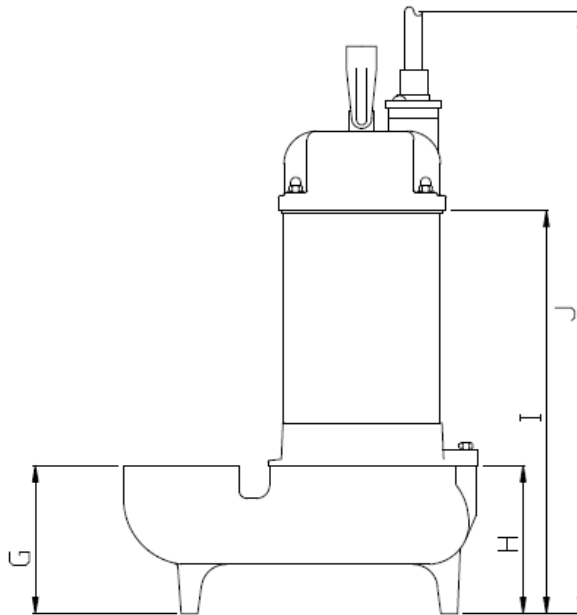
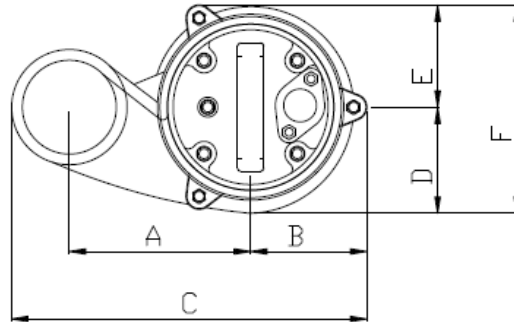




SB-20



TYPE	DISCHARGE	A	B	C	D	E	F	G	H	I	J
INCHES	1" NPT Female	3.35"	3.27"	6.85"	2.48"	2.64"	5.12"	1.89"	1.70"	7.28"	10.24"



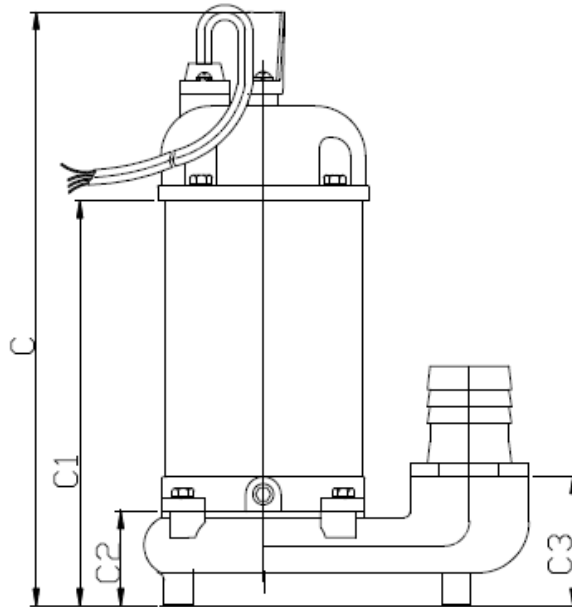
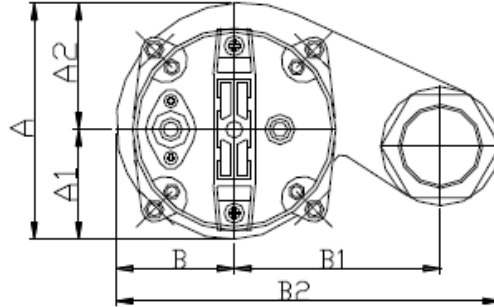
WASTEWATER SOLUTIONS LLC

Arturo Garcia
102 NE 2nd Street, Suite 510
Boca Raton FL 33432
(954) 483 9269
arturo@wws-llc.com

Specifications subject to change without notice



SE-40



Type	DISCHARGE	A	A1	A2	B	B1	B2	C	C1	C2	C3
INCHES	2"	5.71"	2.60"	3.07"	5.20"	2.83"	9.09"	15.59"	10.47"	4.33"	4.33"



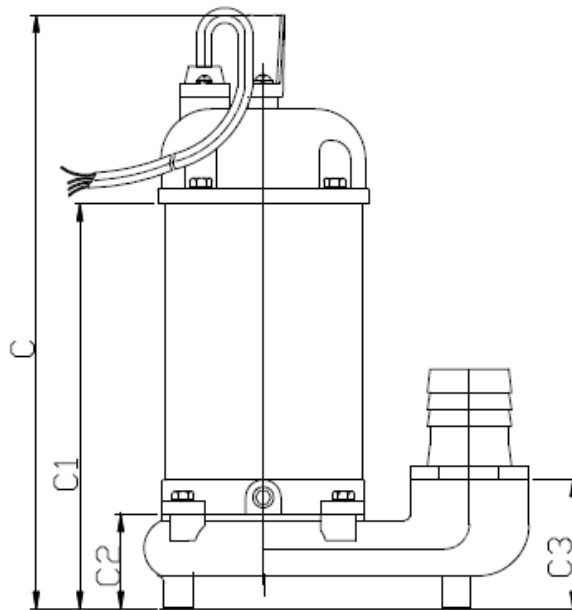
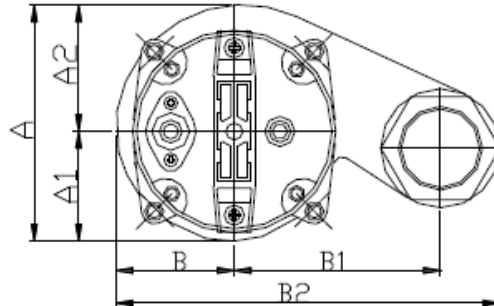
WASTEWATER SOLUTIONS LLC

Arturo Garcia
102 NE 2nd Street, Suite 510
Boca Raton FL 33432
(954) 483 9269
arturo@wvs-llc.com

Specifications subject to change without notice



SE-50



Type	DISCHARGE	A	A1	A2	B	B1	B2	C	C1	C2	C3
INCHES	2"	5.71"	2.60"	3.07"	5.20"	2.83"	9.09"	16.57"	11.46"	4.33"	4.33"



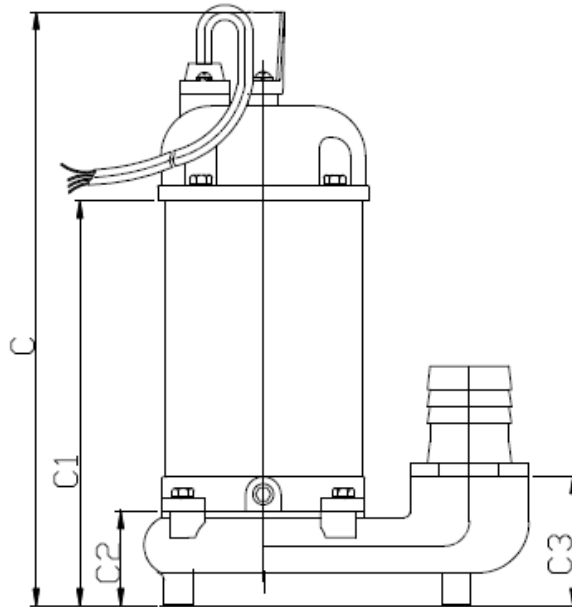
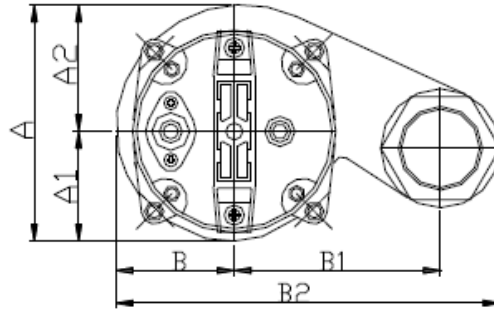
WASTEWATER SOLUTIONS LLC

Arturo Garcia
102 NE 2nd Street, Suite 510
Boca Raton FL 33432
(954) 483 9269
arturo@wvs-llc.com

Specifications subject to change without notice



SE-100



Type	DISCHARGE	A	A1	A2	B	B1	B2	C	C1	C2	C3
INCHES	2"	5.71"	2.60"	3.07"	5.20"	2.83"	9.09"	19.53"	13.35"	4.33"	4.33"



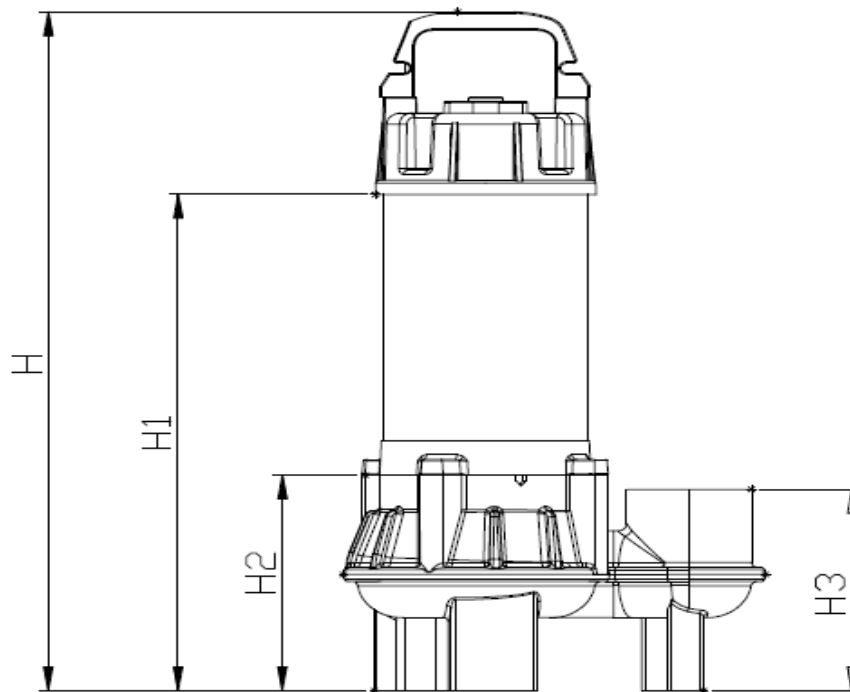
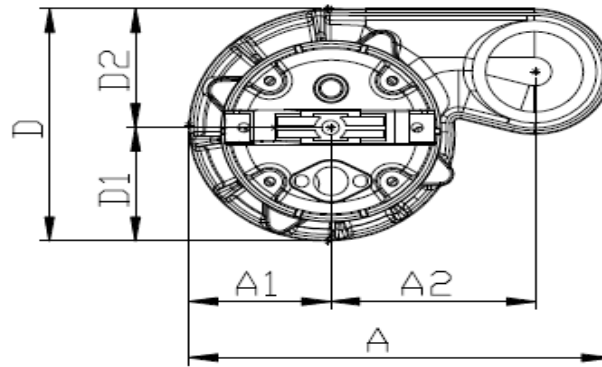
WASTEWATER SOLUTIONS LLC

Arturo Garcia
102 NE 2nd Street, Suite 510
Boca Raton FL 33432
(954) 483 9269
arturo@wws-llc.com

Specifications subject to change without notice



SEW-150



TYPE	DISCHARGE	A	A1	A2	D	D1	D2	H	H1	H2	H3
SEW-150	2" NPT female	10.67	3.66	5.31	7.32	3.46	3.86	19.92	14.80	5.94	5.63



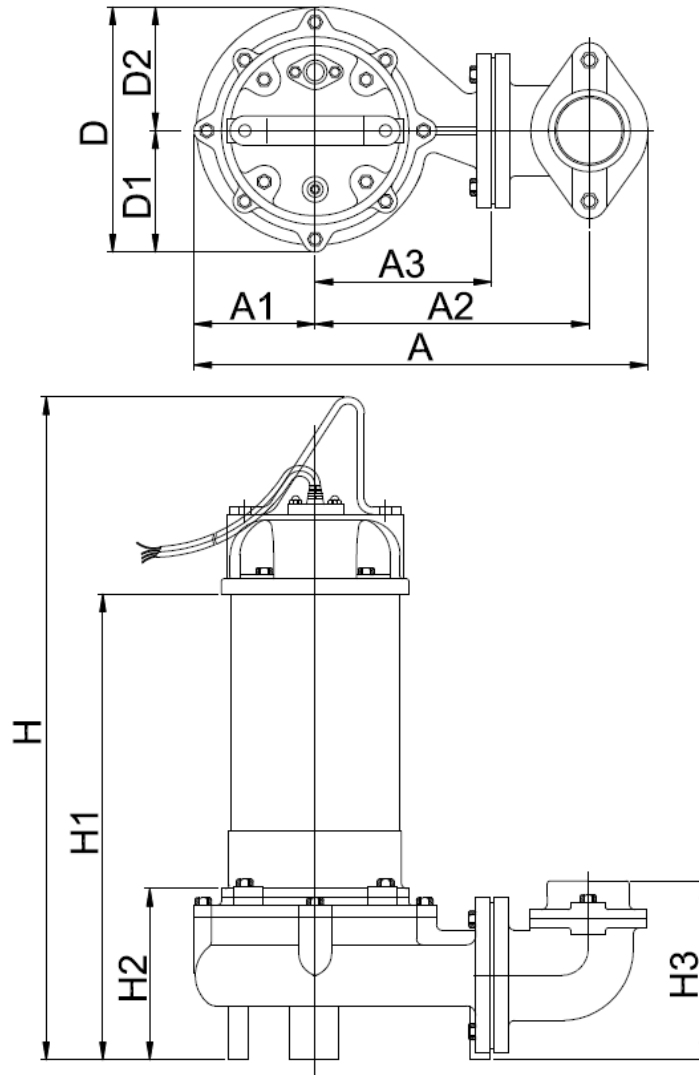
WASTEWATER SOLUTIONS LLC

Arturo Garcia
102 NE 2nd Street, Suite 510
Boca Raton FL 33432
(954) 483 9269
arturo@wvs-llc.com

Specifications subject to change without notice



SV-200



TYPE	DISCHARGE	A	A1	A2	A3	D	D1	D2	H	H1	H2	H3
DIMENSIONS	2" or 3" NPT female	15.35"	4.06"	9.25"	5.94"	8.27"	4.13"	4.13"	20.94"	15.75"	5.91"	5.98"



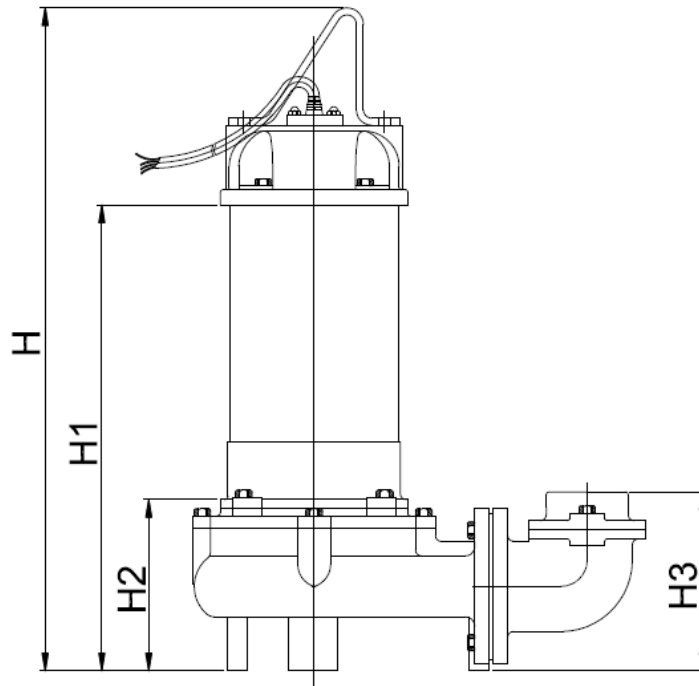
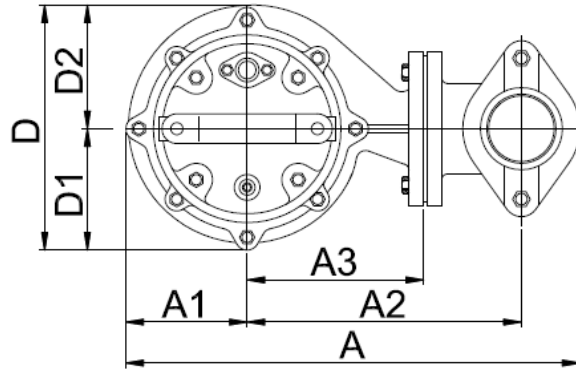
WASTEWATER SOLUTIONS LLC

Arturo Garcia
102 NE 2nd Street, Suite 510
Boca Raton FL 33432
(954) 483 9269
arturo@wvs-llc.com

Specifications subject to change without notice



SV-300



TYPE	DISCHARGE	A	A1	A2	A3	D	D1	D2	H	H1	H2	H3
DIMENSIONS	2" or 3" NPT female	15.35"	4.06"	9.25"	5.94"	8.27"	4.13"	4.13"	21.73"	16.54"	5.91"	5.98"



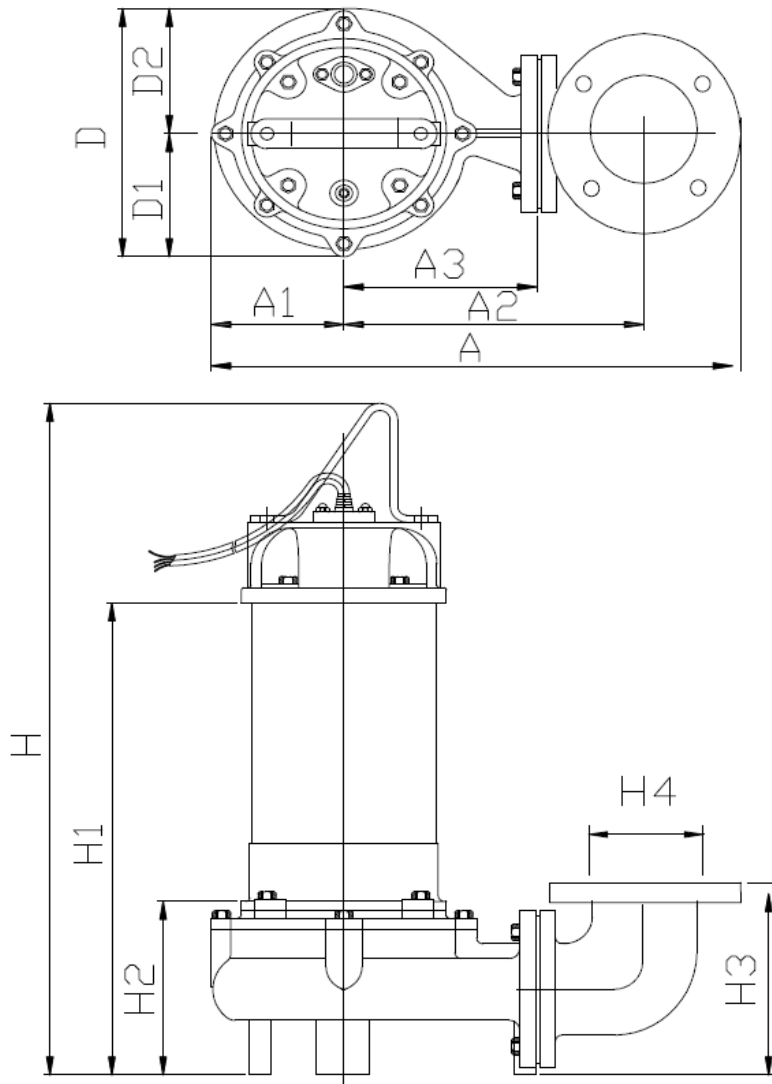
WASTEWATER SOLUTIONS LLC

Arturo Garcia
102 NE 2nd Street, Suite 510
Boca Raton FL 33432
(954) 483 9269
arturo@wws-llc.com

Specifications subject to change without notice



SV-500



TYPE	A	A1	A2	A3	D	D1	D2	H	H1	H2	H3	H4
Dimensions	18.50"	4.33"	10.12"	6.69"	8.58"	3.86"	4.72"	24.92"	18.43"	6.30"	8.11"	3" or 4" NPT female



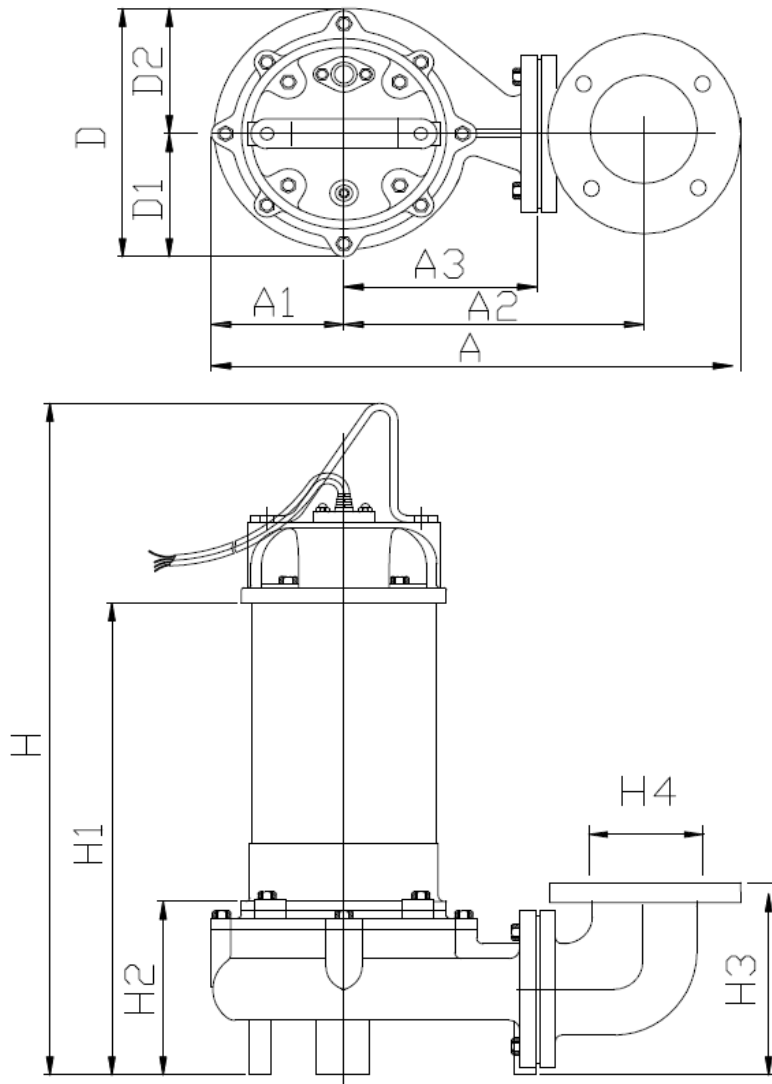
WASTEWATER SOLUTIONS LLC

Arturo Garcia
102 NE 2nd Street, Suite 510
Boca Raton FL 33432
(954) 483 9269
arturo@wvs-llc.com

Specifications subject to change without notice



SV-750



TYPE	A	A1	A2	A3	D	D1	D2	H	H1	H2	H3	H4
Dimensions	18.50"	4.33"	10.12"	6.69"	8.58"	3.86"	4.72"	26.50"	20"	6.30"	8.11"	3" or 4" NPT female



WASTEWATER SOLUTIONS LLC

Arturo Garcia
102 NE 2nd Street, Suite 510
Boca Raton FL 33432
(954) 483 9269
arturo@wvs-llc.com

Specifications subject to change without notice