

TYPICAL STANCOR OILMINDER PUMP SELECTIONS

ASME A 17.1 Section 2.2.2.5 (2007) requires that, for each building elevator, the elevator sump pump shall be capable of pumping at least 3,000 gallons per hour. Therefore, after considering vertical lift and pipe friction losses, a larger pump selection may be necessary for certain projects.

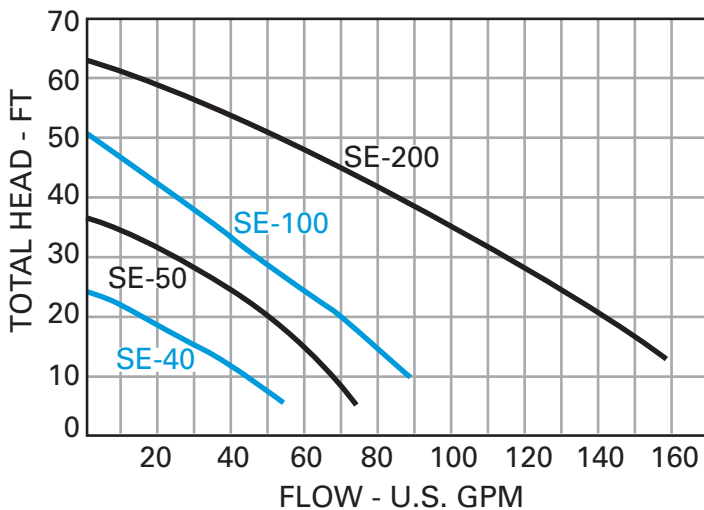
No matter what the pump capacity requirement may be, Stancor has an Oil-Minder® System that will do the job.

Please refer to the chart below for additional commonly specified pump selections. Stancor manufactures pumps up to 75 HP, details of which can be found at www.stancorpumps.com.

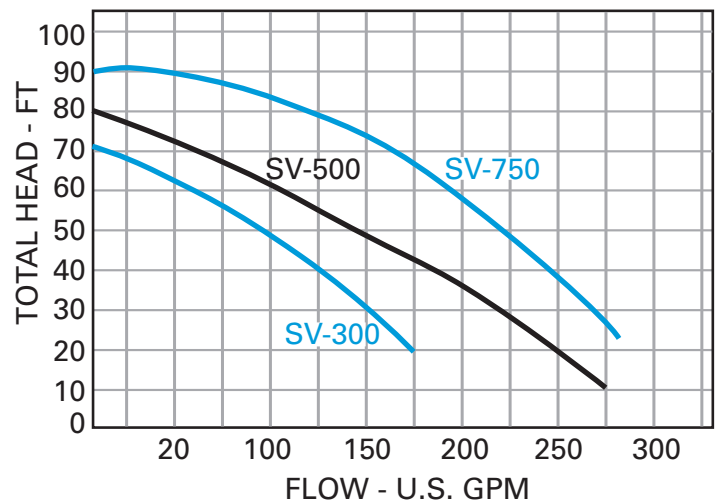
Specifications Pump & System Model	Output		Discharge		Rated		Cable
	HP	Voltage	Amps	In.	Max. Head (ft)	Max. Capacity	Length (ft)
SE-40 O/M	4/10	115	5	2"	22	64 GPM	16
SE-50 O/M	1/2	115/220/460	8/4/2	2"	37	74 GPM	16
SE-100 O/M	1	115/220/460	14/7/3.5	2"	50	100 GPM	33
SE-100HH O/M	1	115/220/460	16/8/4.5	2"	80	80 GPM	33
SV-200 O/M	2	220/230/460	21/10/5.5	2" (3")	62	172 GPM	33
SV-300 O/M	3	230/460	9/5.2	3" (4")	70	210 GPM	33
SV-500 O/M	5	230/460	15/8.6	3" (4")	80	280 GPM	33
SV-750 O/M	7.5	230/460	22.5/12.8	3" (4")	90	330 GPM	33

1. Guiderail system must be ordered separately
2. Elbow with female threaded connection provided
3. 208V available as special order
4. Models up to 7 amps are available with 8-pin quick connect cable and standard on all "O/M Multi-Option" Systems

Series SE Performance Curves



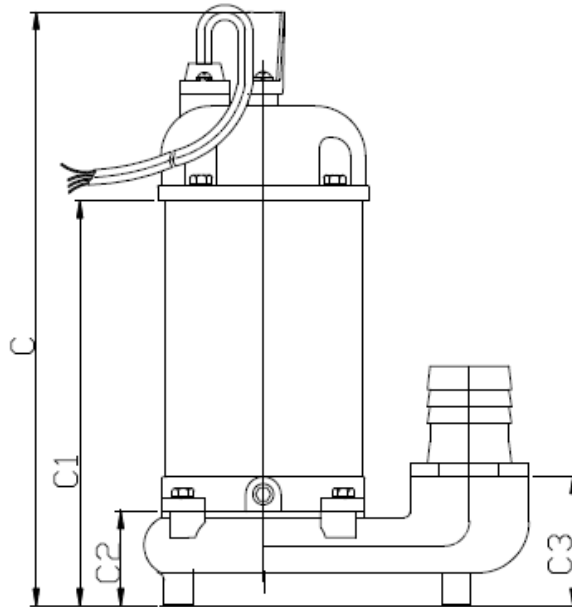
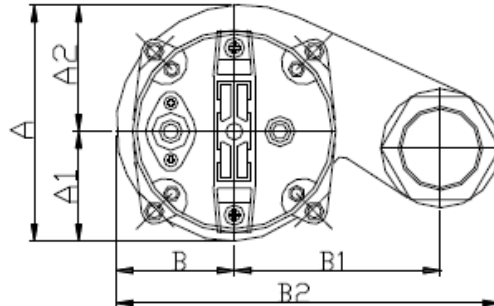
Series SV Performance Curves



For further details of additional pump selections please contact **ARTURO GARCIA**
 (954) 483 9269 arturo@wws-llc.com



SE-40

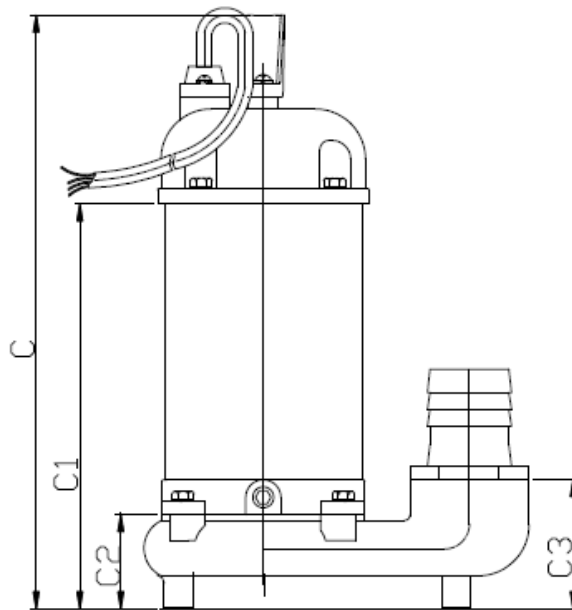
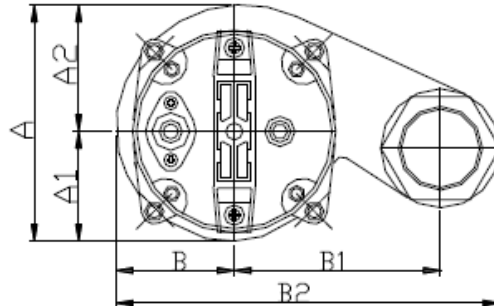


Type	DISCHARGE	A	A1	A2	B	B1	B2	C	C1	C2	C3
INCHES	2"	5.71"	2.60"	3.07"	5.20"	2.83"	9.09"	15.59"	10.47"	4.33"	4.33"

Specifications subject to change without notice



SE-50

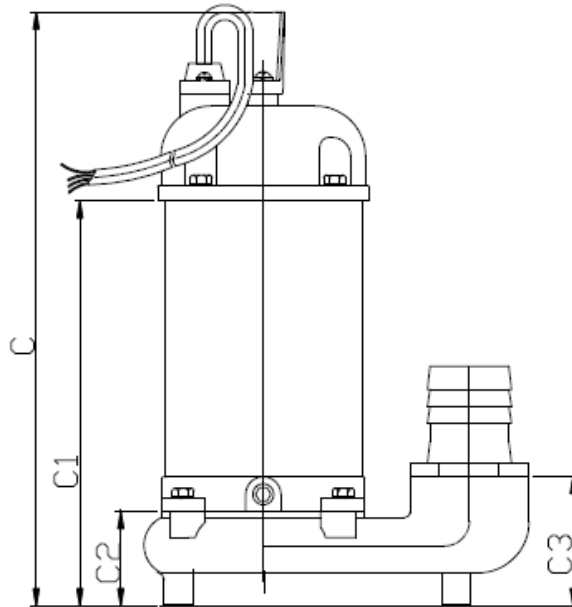
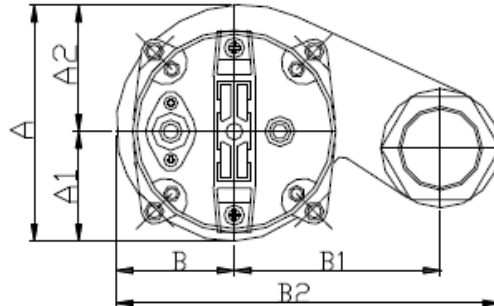


Type	DISCHARGE	A	A1	A2	B	B1	B2	C	C1	C2	C3
INCHES	2"	5.71"	2.60"	3.07"	5.20"	2.83"	9.09"	16.57"	11.46"	4.33"	4.33"

Specifications subject to change without notice



SE-100

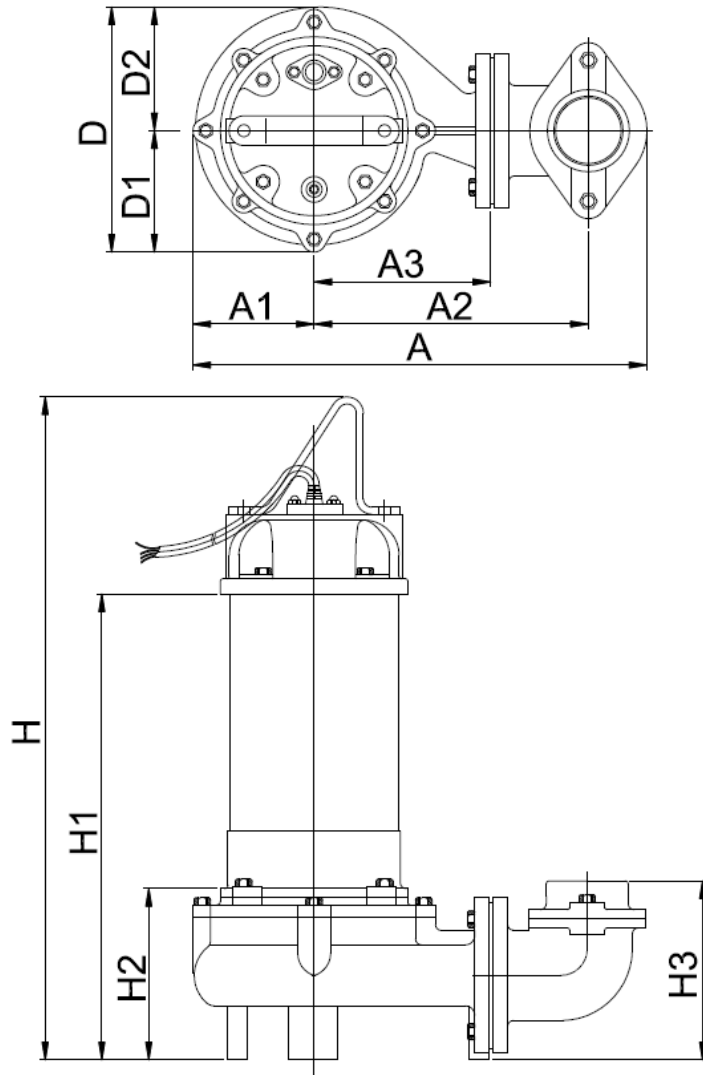


Type	DISCHARGE	A	A1	A2	B	B1	B2	C	C1	C2	C3
INCHES	2"	5.71"	2.60"	3.07"	5.20"	2.83"	9.09"	19.53"	13.35"	4.33"	4.33"

Specifications subject to change without notice



SV-200

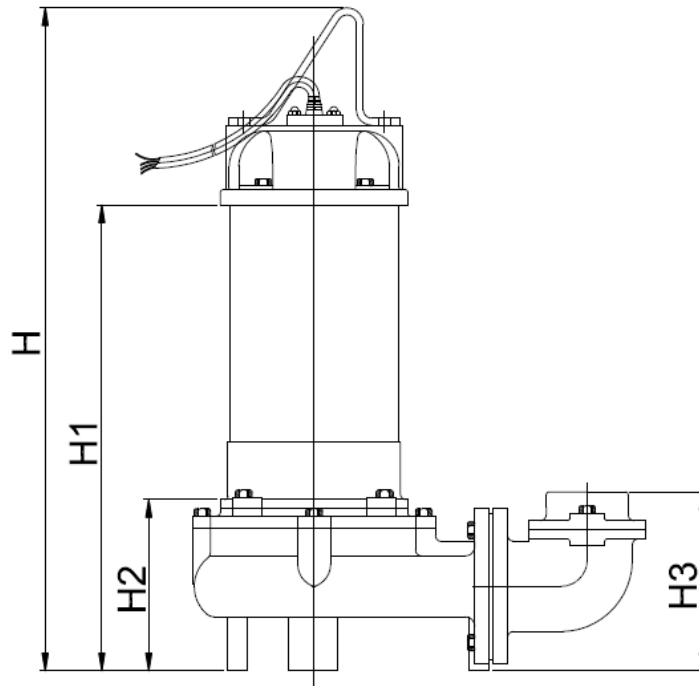
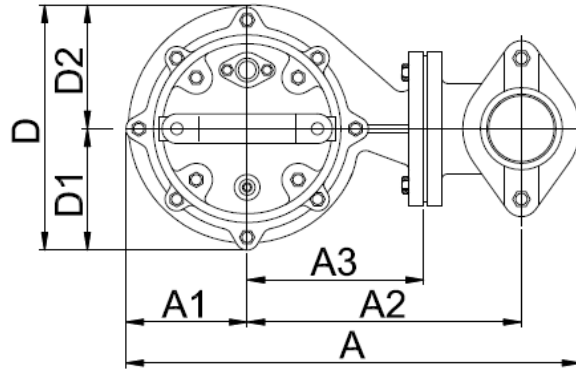


TYPE	DISCHARGE	A	A1	A2	A3	D	D1	D2	H	H1	H2	H3
DIMENSIONS	2" or 3" NPT female	15.35"	4.06"	9.25"	5.94"	8.27"	4.13"	4.13"	20.94"	15.75"	5.91"	5.98"

Specifications subject to change without notice



SV-300

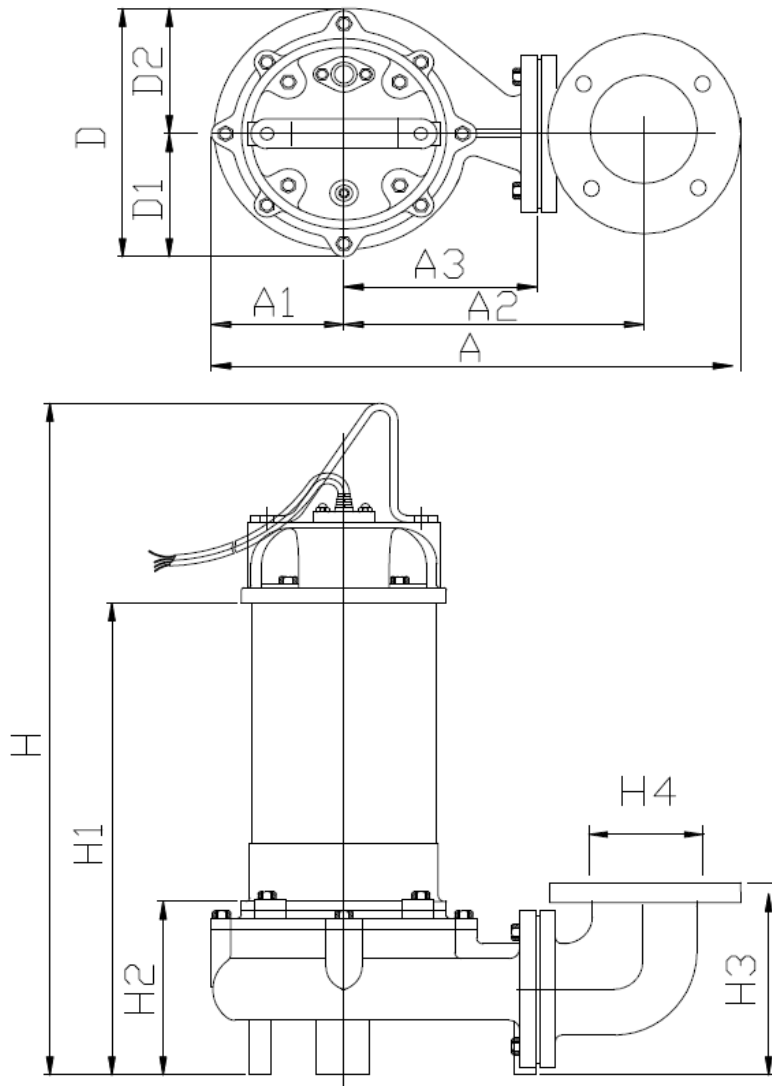


TYPE	DISCHARGE	A	A1	A2	A3	D	D1	D2	H	H1	H2	H3
DIMENSIONS	2" or 3" NPT female	15.35"	4.06"	9.25"	5.94"	8.27"	4.13"	4.13"	21.73"	16.54"	5.91"	5.98"

Specifications subject to change without notice



SV-500

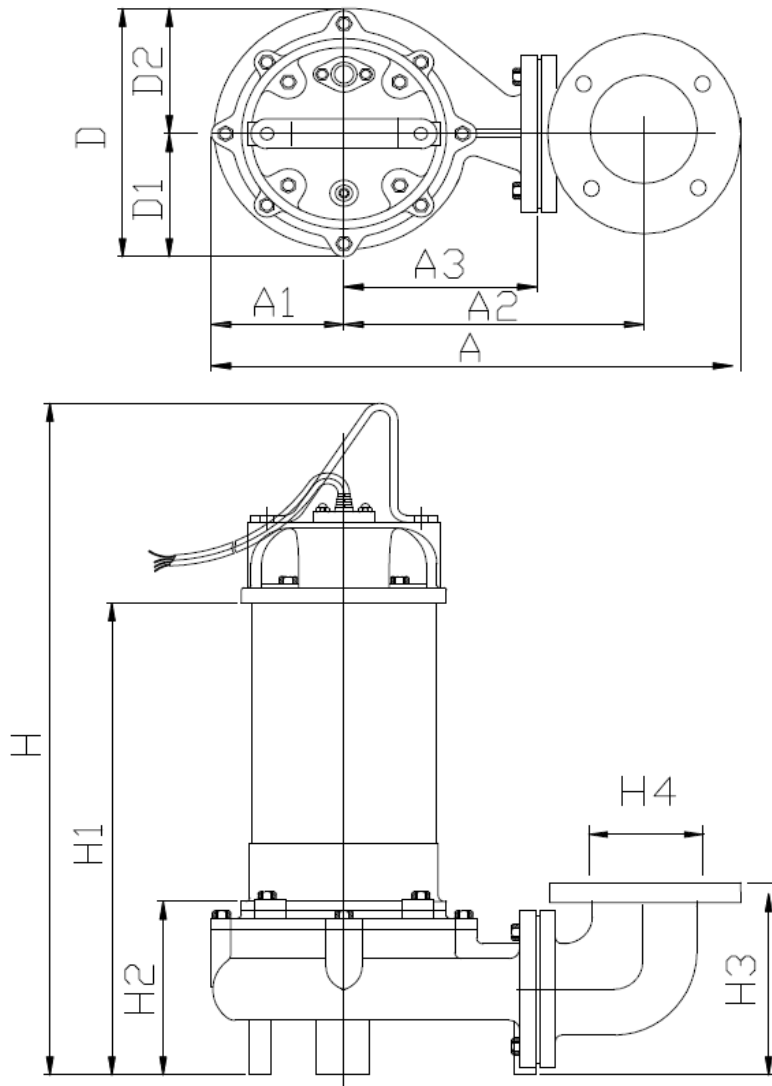


TYPE	A	A1	A2	A3	D	D1	D2	H	H1	H2	H3	H4
Dimensions	18.50"	4.33"	10.12"	6.69"	8.58"	3.86"	4.72"	24.92"	18.43"	6.30"	8.11"	3" or 4" NPT female

Specifications subject to change without notice



SV-750



TYPE	A	A1	A2	A3	D	D1	D2	H	H1	H2	H3	H4
Dimensions	18.50"	4.33"	10.12"	6.69"	8.58"	3.86"	4.72"	26.50"	20"	6.30"	8.11"	3" or 4" NPT female

Specifications subject to change without notice