

**TECHNICAL DATA****AVENGER SERIES****SV-200**

STANCOR

Dwg: DS-A04-013 Rev: 2 Date: 01/16

MOTOR SPECIFICATIONS

Motor Design	Induction
Motor Type	Enclosed submersible
Insulation Class	Class E
Motor Protection	Bi-metallic Thermal Switch
Bi-Metallic Temp Trip	120° C ± 5° C
Service Factor	1.3
Voltage Tolerance	± 10% from nominal

**MOTOR DATA, 60Hz**

Model	Phase	Output Power BHP	Volts	Full Load Amps	Locked Rotor Amps	NEMA Code Letter	Power Factor 100% Load	Motor Efficiency 100% Load	Pole/Speed (rpm)
SV-200	1	2.0	230	12	60	H	0.90	0.79	2/3450
	3	2.0	230	6	30	G	0.89	0.78	2/3450
	3	2.0	460	3	15	G	0.84	0.75	2/3450
	3	2.0	575	2.3	11.5	G	0.82	0.78	2/3450

MATERIALS OF CONSTRUCTION

Upper Motor Lid	FC-20 Cast Iron
Motor Housing	AISI 304 Stainless Steel
Oil Chamber	FC-20 Cast Iron
Volute	FC-20 Cast Iron
External Hardware	AISI 304 Stainless Steel
O-Rings	Nitrile (Buna N)
Motor Shaft	Stainless Steel (410)
Upper Bearing	Single row, doubled sealed
Lower Bearing(s)	Single row, doubled sealed
Upper Shaft Seal	CA/CE (carbon/ceramic)
Lower Shaft Seal	CA/CE; outboard lip seal
Impeller	FC-20 Cast Iron

DIMENSIONS, WEIGHT, AND MISC.

Pump weight single phase	77lbs (35kg)
Pump weight three phase	77lbs (35kg)
Maximum submergence	30 feet (9m)
Discharge size, standard	2 inch or 3 inch NPT female vertical
Maximum temp. of pumped fluid	104°F (40°C)

CABLE SPECIFICATIONS

MODEL	PHASE/VOLTAGE	POWER CABLE	LENGTH	OUTER JACKET
SV-200	1Ø-230V	SJTOW 14/3	33 feet (10m)	NBR
	3Ø-230V	STOW 14/4	33 feet (10m)	NBR
	3Ø-460V	STOW 16/4	33 feet (10m)	NBR
	3Ø-575V	STOW 16/4	33 feet (10m)	NBR

Power cable suitable for all standard voltages listed in "MOTOR DATA" section.



Specifications subject to change without notice

Stancor, Inc. 515 Fan Hill Road, Monroe, CT 06468

Tel: 203-268-7513

Fax : 203-268-7958

www.stancorpumps.com

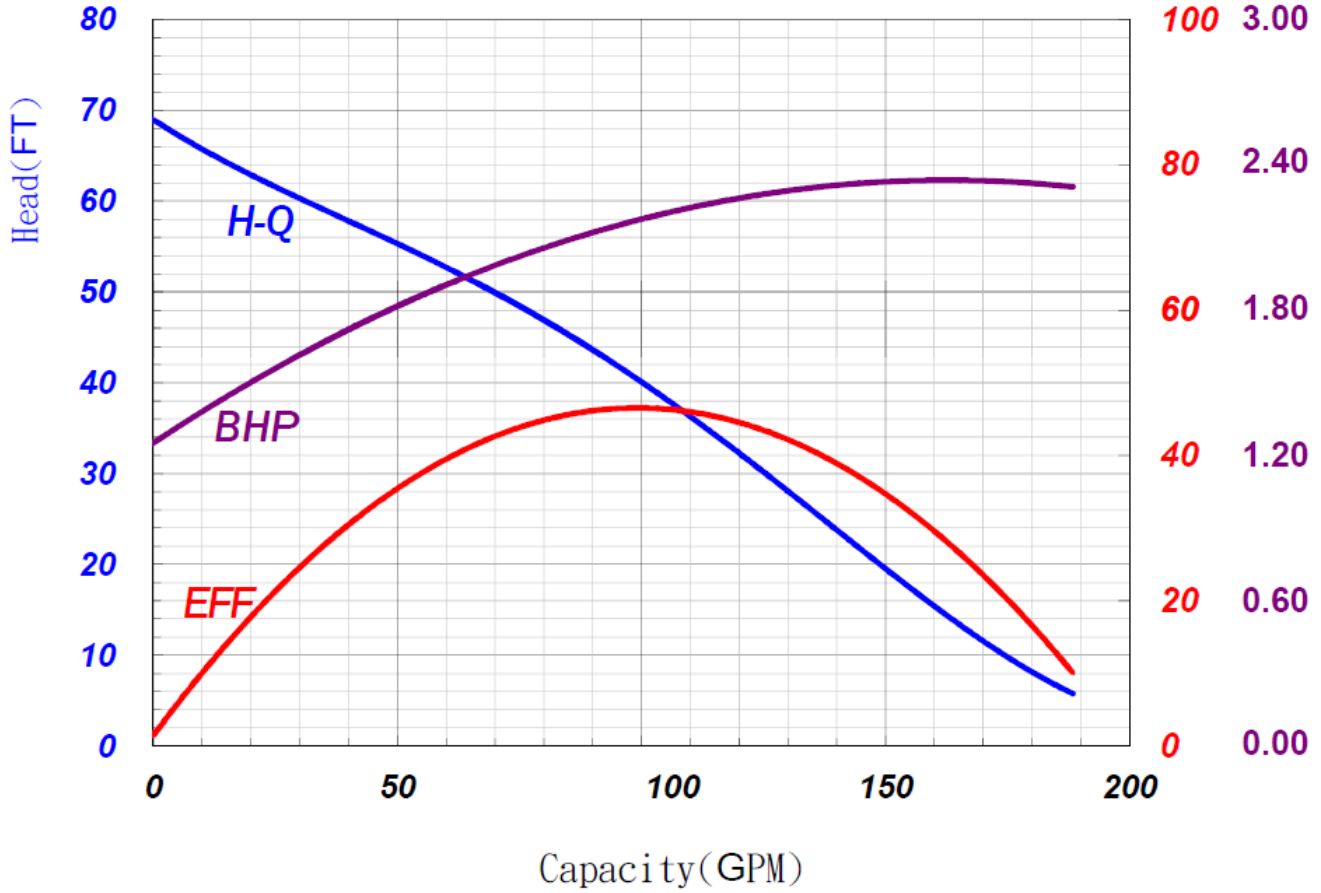


Horsepower: 2 HP

Hertz: 60 Hz

Stancor Model SV-200 Individual Performance Curve

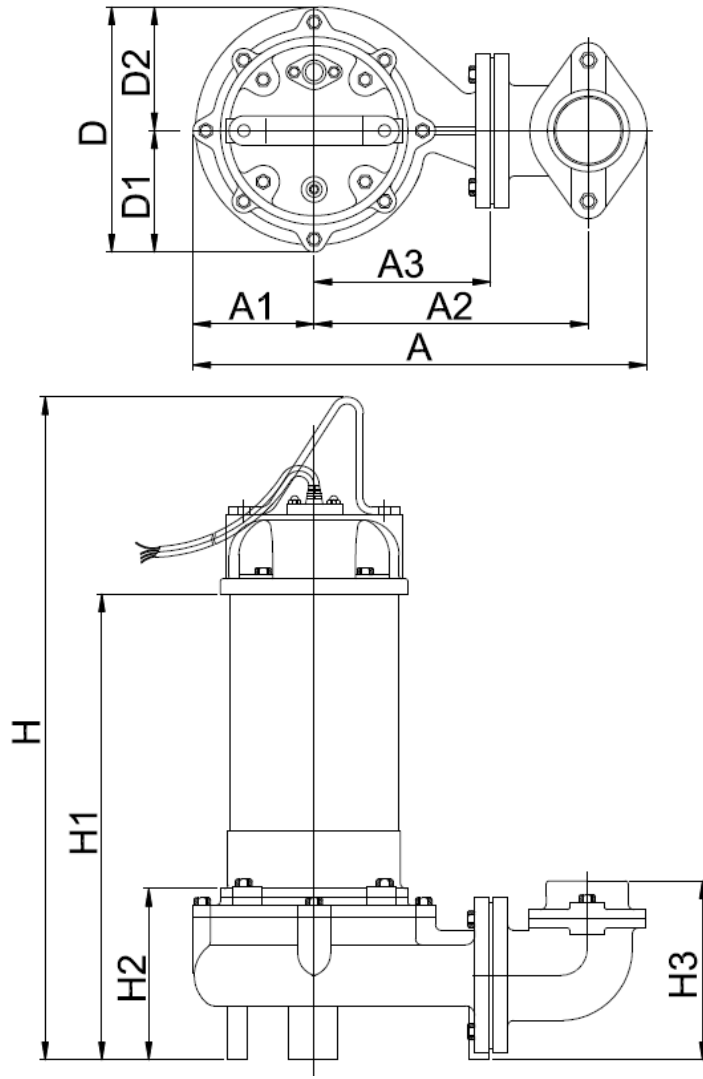
EFF (%) BHP
100 3.00



Specifications subject to change without notice



SV-200



TYPE	DISCHARGE	A	A1	A2	A3	D	D1	D2	H	H1	H2	H3
DIMENSIONS	2" or 3" NPT female	15.35"	4.06"	9.25"	5.94"	8.27"	4.13"	4.13"	20.94"	15.75"	5.91"	5.98"

Specifications subject to change without notice