

**TECHNICAL DATA****AVENGER SERIES****SE-40**

STANCOR

Dwg: DS-A09-001 Rev: 2 Date: 01/16

MOTOR SPECIFICATIONS

Motor Design	Induction
Motor Type	Enclosed submersible
Insulation Class	Class E
Motor Protection	Bi-metallic Thermal Switch
Bi-Metallic Temp Trip	120° C ± 5° C
Service Factor	1.3
Voltage Tolerance	± 10% from nominal

**MOTOR DATA, 60Hz**

Model	Phase	Output Power BHP	Volts	Full Load Amps	Locked Rotor Amps	NEMA Code Letter	Power Factor 100% Load	Motor Efficiency 100% Load	Pole/Speed (rpm)
SE-40	1	0.4	115	4.6	23.0	H	0.91	0.67	2/3450
	1	0.4	230	2.3	11.5	H	0.90	0.64	2/3450
	3	0.4	230	1.4	7.0	H	0.91	0.66	2/3450
	3	0.4	460	0.7	3.5	H	0.89	0.67	2/3450
	3	0.4	575	0.6	3.0	J	0.90	0.65	2/3450

MATERIALS OF CONSTRUCTION

Upper Motor Lid	Nylon 66
Motor Housing	AISI 304 Stainless Steel
Oil Chamber	FC-20 Cast Iron
Volute	FC-20 Cast Iron
External Hardware	AISI 304 Stainless Steel
O-Rings	Nitrile (Buna N)
Motor Shaft	Stainless Steel (410)
Upper Bearing	Single row Sealed
Lower Bearing(s)	Single row Sealed
Upper Shaft Seal	CA/CE (carbon/ceramic)
Lower Shaft Seal	SIC/SIC (silicon carbide/silicon carbide)
Impeller	FC-20 Cast Iron

DIMENSIONS, WEIGHT, AND MISC.

Pump weight single phase	24lbs (11kg)
Pump weight three phase	24lbs (11kg)
Maximum submergence	30 feet (9m)
Discharge size, standard	2 inch NPT female vertical
Maximum temp. of pumped fluid	104°F (40°C)

CABLE SPECIFICATIONS

MODEL	PHASE/VOLTAGE	POWER CABLE	LENGTH	OUTER JACKET
SE-40	1Ø-115V	SJTOW 16/3	16 feet (5m)	NBR
	1Ø-230V	SJTOW 16/3	16 feet (5m)	NBR
	3Ø-230V	STOW 16/4	16 feet (5m)	NBR
	3Ø-460V	STOW 16/4	16 feet (5m)	NBR
	3Ø-575V	STOW 16/4	16 feet (5m)	NBR

Power cable suitable for all standard voltages listed in "MOTOR DATA" section.

**WASTEWATER SOLUTIONS LLC**

Specifications subject to change without notice



SE-40

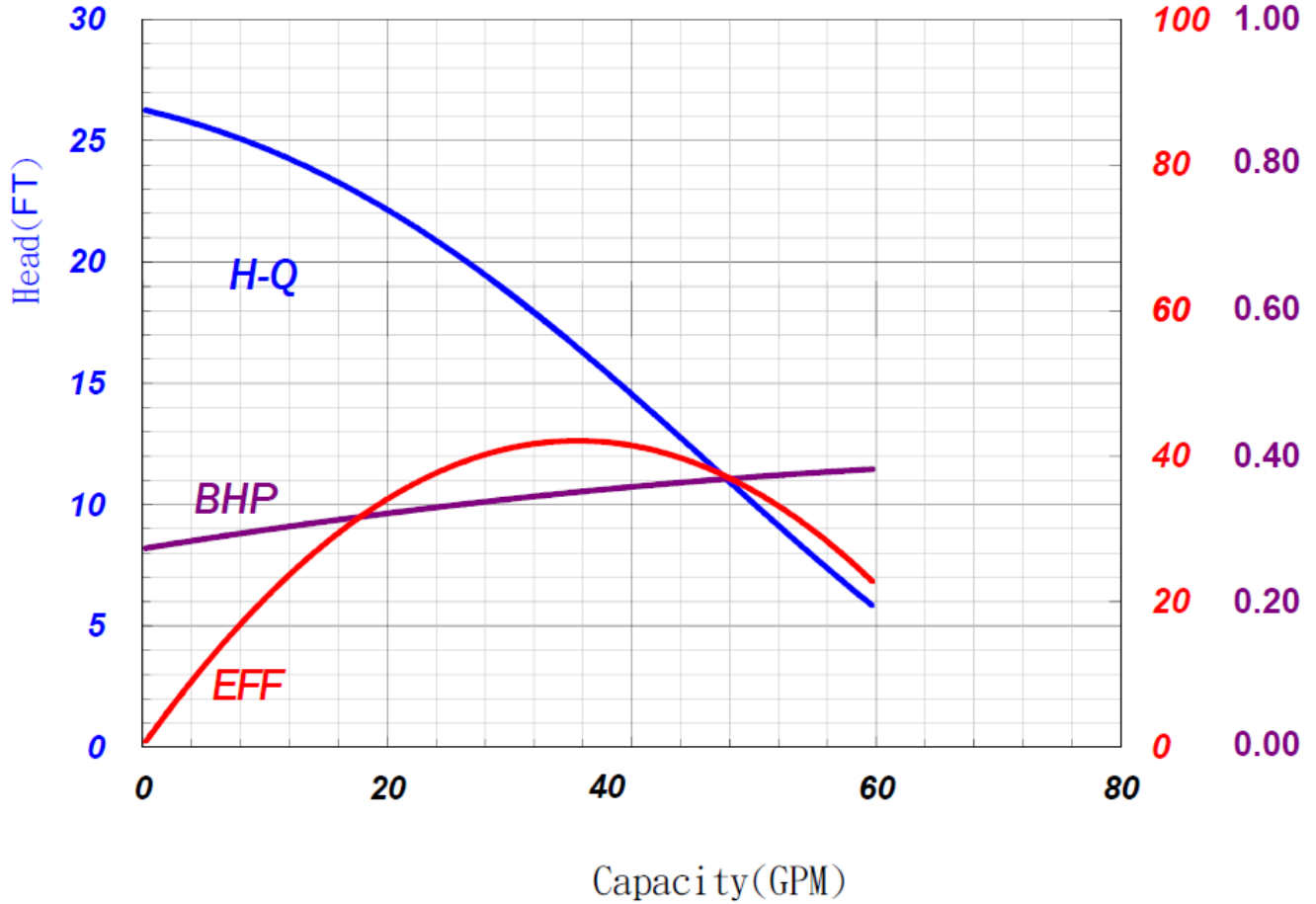


Horsepower: 0.3 HP

Hertz: 60 Hz

EFF (%) BHP

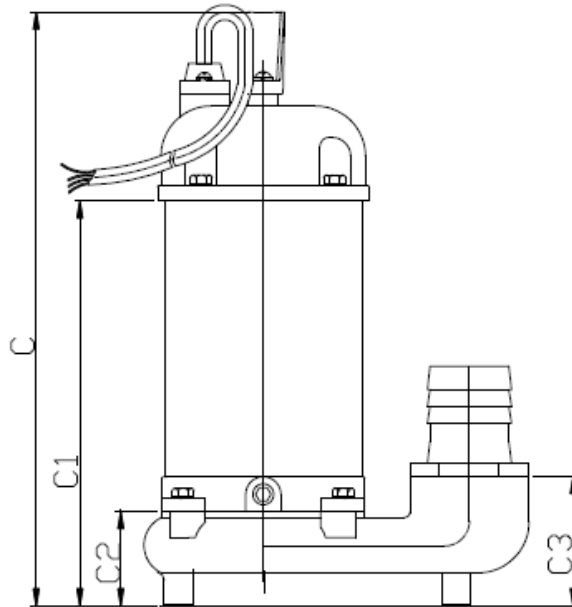
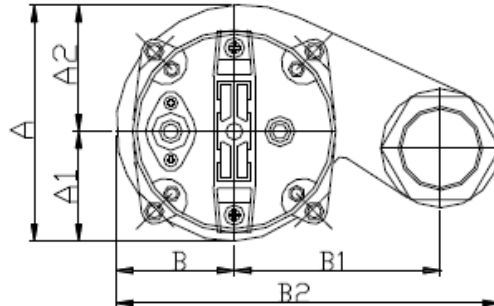
Stancor Model SE-40 Individual Performance Curve



Specifications subject to change without notice



SE-40



Type	DISCHARGE	A	A1	A2	B	B1	B2	C	C1	C2	C3
INCHES	2"	5.71"	2.60"	3.07"	5.20"	2.83"	9.09"	15.59"	10.47"	4.33"	4.33"

Specifications subject to change without notice