

## DESIGN / CONSTRUCTION

Body	304L SS
External Hardware	304L SS
Gaskets	Buna-N
Motor Body	Cast Iron
Shaft Seal	Single Mechanical Seal
Impeller	165mm DIPCUT® Impeller Standard
Maximum Solid Size $\phi$	2.8" (70mm)

## MOTOR SPECIFICATIONS

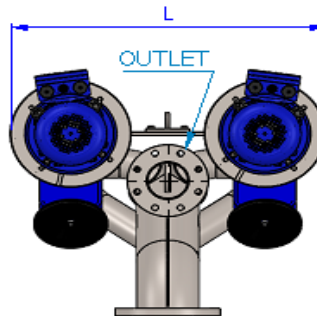
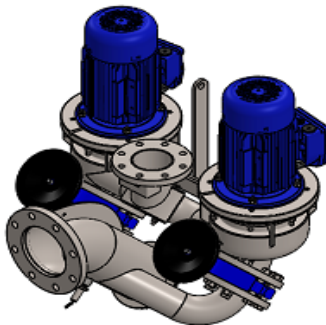
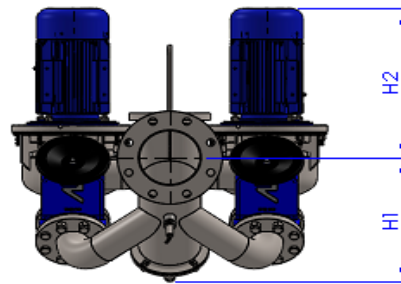
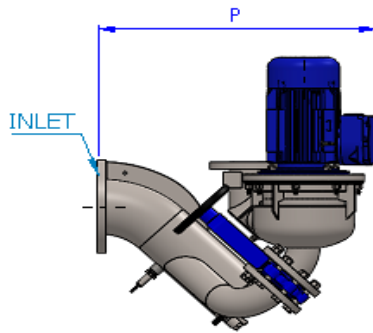
Motor Design	4-Pole, 3-Phase Squirrel-Cage Motor 50Hz/60Hz
Motor Type	TEFC, IP67
Insulation Class	Class F
Motor Protection	Protected by VFD
Service Factor	1.15
Maximum Ambient Temp.	104°F (40°C)
Voltage Tolerance	±10%

## MOTOR DATA

Rated Power	230V FLA	460V FLA	575V FLA	Weight *
2.2kW / 3HP	9.4	4.7	3.8	242lb (110 kg)

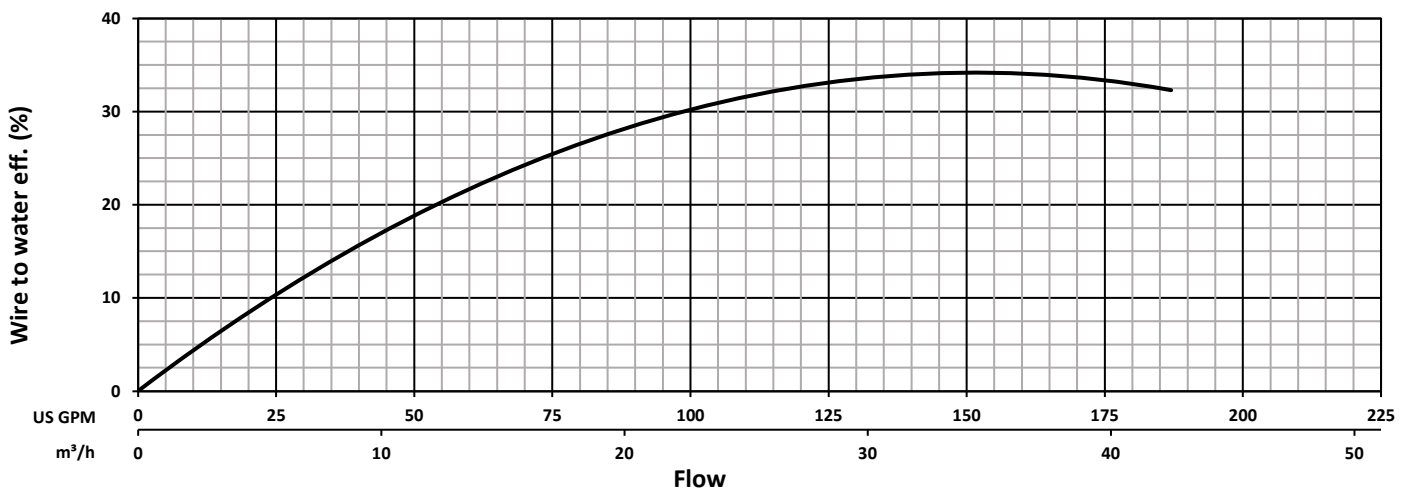
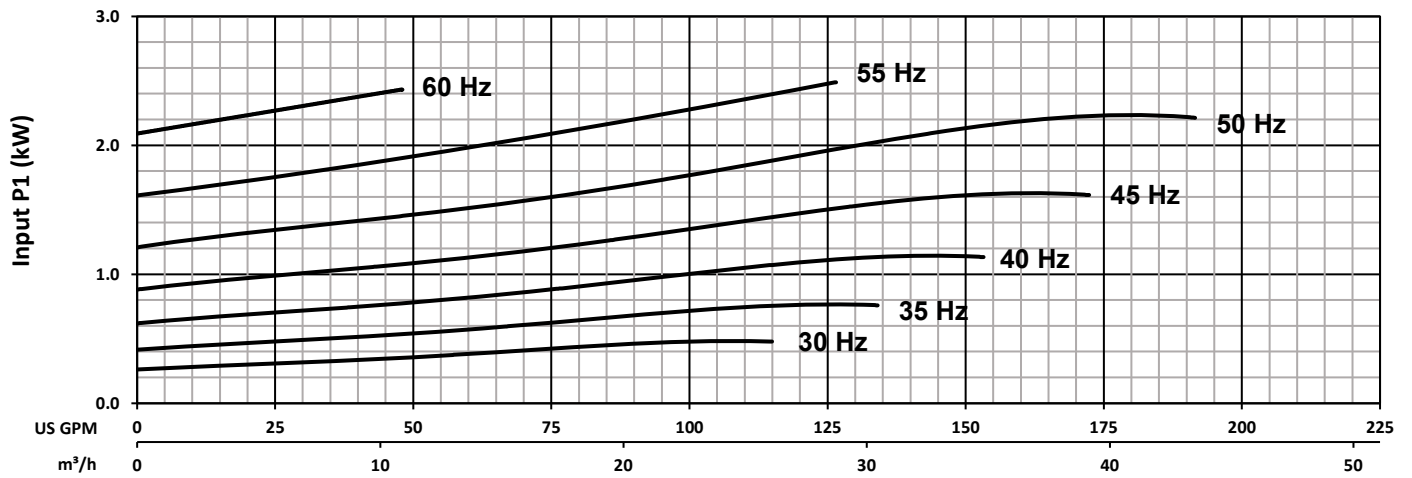
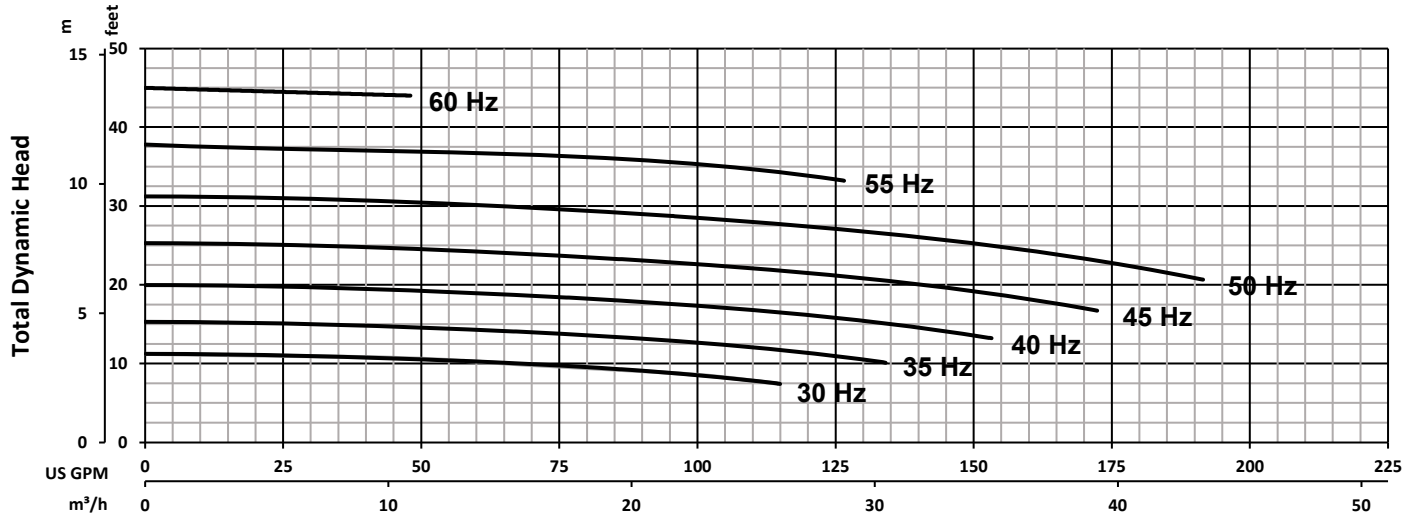
## DIMENSIONS (largest motor)


Inlet	6" ANSI 150#
Outlet	4" ANSI 150#
H1	14.7" (374mm)
H2	17.5" (445mm)
L	33.6" (854mm)
P	29.5" (750mm)



\* Total weight of unit

# PERFORMANCE CURVE OW28-4VV 2.2kW



 <b>INDUSTRIAL FLOW SOLUTIONS</b>	<b>PERFORMANCE CURVE</b>			<b>DS-A50-051</b>			
	Tested with clean water Test Standard : HI 11.6 Gr 3B	<b>Model</b>	<b>OW28-4VV 2.2kW</b>		<b>Rev</b>	--	
		<b>Motor</b>	2.2 kW/3 HP	<b>Poles</b>	4	<b>Date</b>	3/15/2020
		<b>Impeller Ø</b>	DIPCUT 165mm	Specifications subject to change without notice			