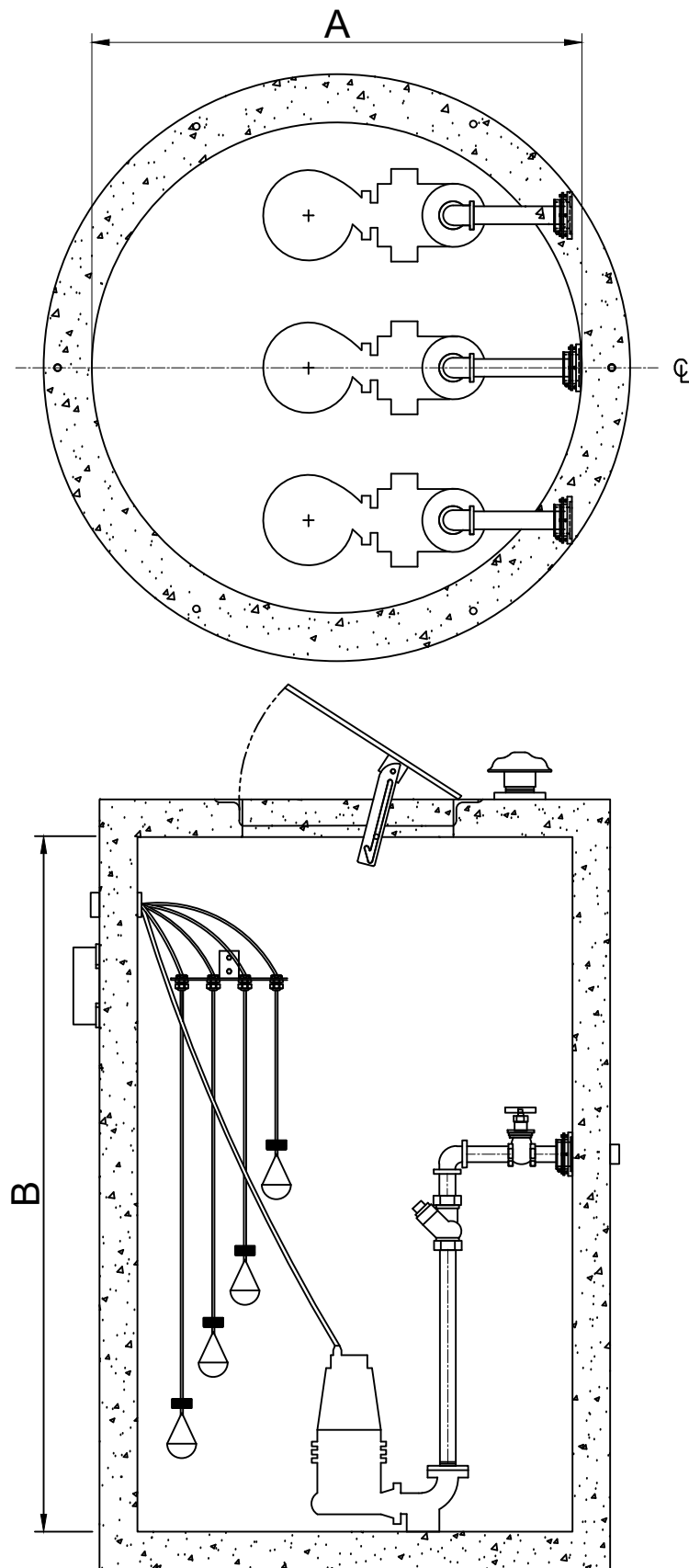
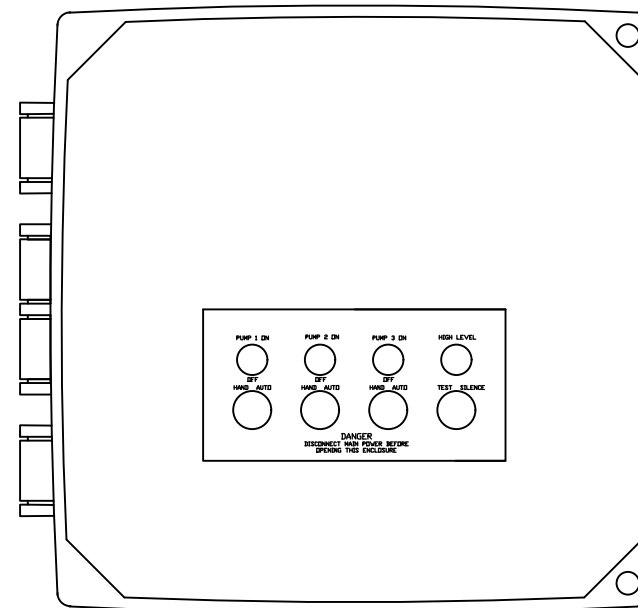


BASIN DETAILS



CONTROL PANEL



Standard components:

- 1- 16 x 14 x 7 NEMA 4X polycarbonate enclosure.
- 2- IEC motor contactor.
- 3- MCC B for short circuit.
- 4- Alternator.
- 5- Green Pump run indicator lights.
- 6- Alarm/Control CB.
- 7- Float switch terminal block angled for ease of field installation.
- 8- Input power terminal block angled for ease of field installation.
- 9- Ground lugs.
- 10- HOA (Hand/Off/Auto) switches.

Standard Alarm Package:

- 11- High alarm relay for dry contacts.
- 12- Indicator light for visual check.
- 13- Sonalert audible alarm.
- 14- Exterior alarm test with silence.
- 15- Horn silence relay.

GENERAL NOTES

| | |
|------------------|--|
| BASIN LENGHT (A) | |
| BASIN DEPTH (B) | |
| PHASE | |
| VOLTAGE | |
| PUMP | |
| FLOW (GPM) | |
| TDH (FEET) | |
| HP | |
| RPM | |
| DISCHARGE | |

NOTES:

PLEASE CONTACT
WASTEWATER SOLUTIONS LLC
ARTURO GARCIA
(954)-483-9269
Email: Arturo@WWS-LLC.com

TRIPLEX EJECTOR SYSTEM
HARD PIPED STATION
CONCRETE BASIN

Revision notes:

| Rev: | Date: | Notes: |
|------|-------|---------|
| A | | PROYECT |

Drawn by:

A. GONZALEZ

Project:

Client:

Drawing Title:

EJECTOR SYSTEM

Date:

Scale @ A3:

Revision:

A

