

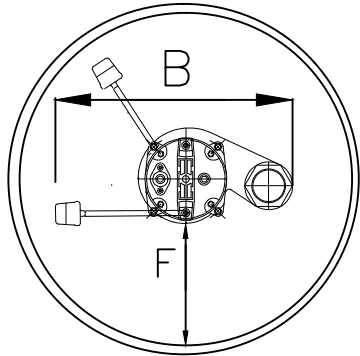
BASIN SIZING FOR: STANCOR OIL MINDER PUMP AND STANDARD FLOAT SYSTEM



NOTE: MINIMUM DISTANCE BETWEEN THE PUMPS AND THE INNER WALL IS 6 INCHES

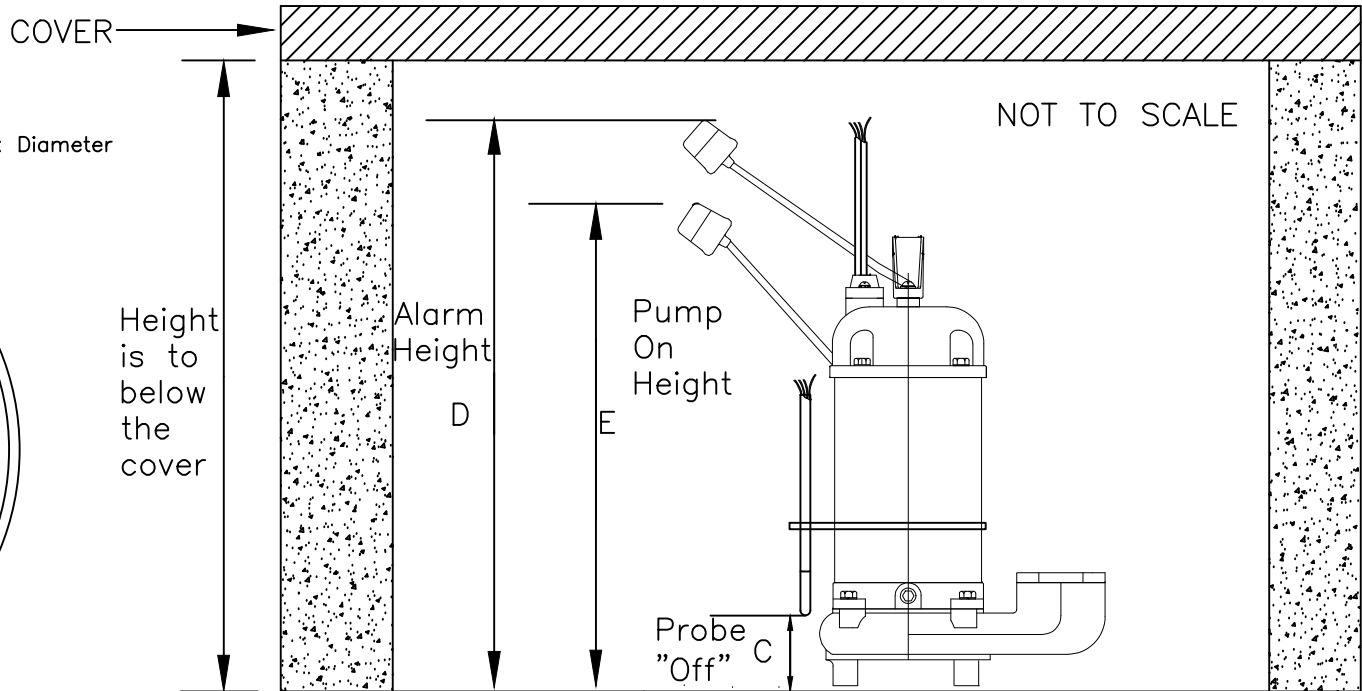
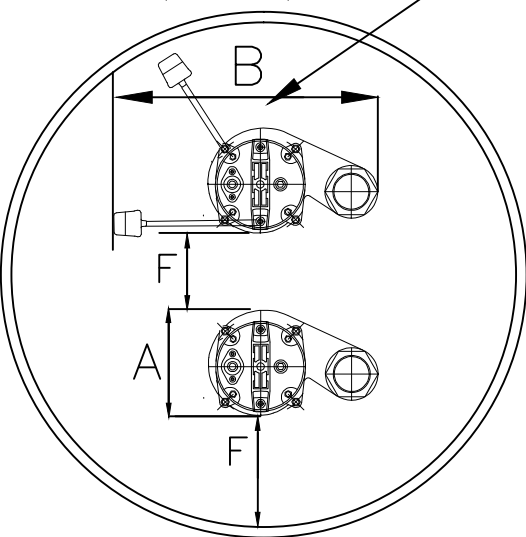
Model	Basin Size		Pump Dimensions (INCH)					Model	Basin Size		Pump Dimensions (INCH)				
	24X24	24X36	A	B	C	D	E		36X24	36X36	A	B	C	D	E
SE-40	X		5.71	16	3	19	12	SE-40	X		5.71	16	3	19	12
SE-50	X		5.71	16	3	20	12	SE-50	X		5.71	16	3	20	12
SE-100	X		5.71	16	3	23	12	SE-100	X		5.71	16	3	23	12
SE-200		X	8.27	22.37	3	24	14	SE-200		X	8.27	22.37	3	24	14
SV-300		X	8.27	22.37	3	25	14	SV-300		X	8.27	22.37	3	25	14
SV-500		X	8.35	25.56	3	28	14	SV-500		X	8.35	25.56	3	28	14
SV-750		X	8.35	25.56	3	30	14	SV-750		X	8.35	25.56	3	30	14
AHS-50	X		8.5	16.8	3	17	15	AHS-50	X		8.5	16.8	3	17	15
AHS-100	X		9.05	10	3	18	15	AHS-100	X		9.05	10	3	18	15
AHS-250	X		10.35	19.3	3	21	16	AHS-250	X		10.35	19.3	3	21	16
SL-75	X		8.10	15.1	3	16	14	SL-75	X		8.10	15.1	3	16	14
SSD-75	X		7.125	14	3	16	13	SSD-75	X		7.125	14	3	16	13
SSD-100	X		7.125	14	3	17	13	SSD-100	X		7.125	14	3	17	13
SW-50	X		6.46	16.61	3	21	12	SW-50	X		6.46	16.61	3	21	12
SW-75	X		6.46	16.61	3	22	12	SW-75	X		6.46	16.61	3	22	12
SW-100	X		6.46	16.61	3	23	12	SW-100	X		6.46	16.61	3	23	12
SW-150	X		7.32	17.67	3	23	13	SW-150	X		7.32	17.67	3	23	13
SW-200	X		7.32	17.67	3	23	13	SW-200	X		7.32	17.67	3	23	13

Simplex Top View



Duplex Top View

Max Diameter



NOT TO BE USED AS AN INSTALLATION DRAWING

BASIN SIZING FOR: STANCOR OIL MINDER PUMP AND VERTICAL FLOAT (DIMENSIONS)

Simplex Systems												
Model	Basin Size		Pump Dimensions (INCH)				OM-300s				OM-300L	
	24X24	24X36	A	B	C	D	E	F	E	F		
SE-40	X		15.6	17	5.71	3	4.63	7.63	7.5	10.5		
SE-50	X		16.6	17	5.71	3	4.63	7.63	7.5	10.5		
SE-100	X		19.5	17	5.71	3	4.63	7.63	7.5	10.5		
SE-200		X	20.96	23.37	8.27	3	4.63	7.63	7.5	10.5		
SV-300		X	21.75	23.37	8.27	3	4.63	7.63	7.5	10.5		
SV-500		X	24.94	26.56	8.35	3	4.63	7.63	7.5	10.5		
SV-750		X	26.52	26.56	8.35	3	4.63	7.63	7.5	10.5		
AHS-50	X		13.5	17	8.5	3	4.63	7.63	7.5	10.5		
AHS-100	X		14.8	17	9.05	3	4.63	7.63	7.5	10.5		
AHS-250	X		17.6	20.3	10.35	3	4.63	7.63	7.5	10.5		
SL-75	X		13.20	15.1	8.10	3	4.63	7.63	7.5	10.5		
SSD-75	X		13	15	7.125	3	4.63	7.63	7.5	10.5		
SSD-100	X		14	15	7.125	3	4.63	7.63	7.5	10.5		
SW-50	X		18.11	17.61	6.46	3	4.63	7.63	7.5	10.5		
SW-75	X		18.98	17.61	6.46	3	4.63	7.63	7.5	10.5		
SW-100	X		19.57	17.61	6.46	3	4.63	7.63	7.5	10.5		
SW-150	X		19.92	18.67	7.32	3	4.63	7.63	7.5	10.5		
SW-200	X		20.47	18.67	7.32	3	4.63	7.63	7.5	10.5		

Duplex Systems												
Model	Basin Size		Pump Dimensions (INCH)				OM-300s				OM-300L	
	36X24	36X36	A	B	C	D	E	F	E	F		
SE-40	X		15.6	17	5.71	3	4.63	7.63	7.5	10.5		
SE-50	X		16.6	17	5.71	3	4.63	7.63	7.5	10.5		
SE-100	X		19.5	17	5.71	3	4.63	7.63	7.5	10.5		
SE-200		X	20.96	23.37	8.27	3	4.63	7.63	7.5	10.5		
SV-300		X	21.75	23.37	8.27	3	4.63	7.63	7.5	10.5		
SV-500		X	24.94	26.56	8.35	3	4.63	7.63	7.5	10.5		
SV-750		X	26.52	26.56	8.35	3	4.63	7.63	7.5	10.5		
AHS-50	X		13.5	17	8.5	3	4.63	7.63	7.5	10.5		
AHS-100	X		14.8	17	9.05	3	4.63	7.63	7.5	10.5		
AHS-250	X		17.6	20.3	10.35	3	4.63	7.63	7.5	10.5		
SL-75	X		13.20	15.1	8.10	3	4.63	7.63	7.5	10.5		
SSD-75	X		13	15	7.125	3	4.63	7.63	7.5	10.5		
SSD-100	X		14	15	7.125	3	4.63	7.63	7.5	10.5		
SW-50	X		18.11	17.61	6.46	3	4.63	7.63	7.5	10.5		
SW-75	X		18.98	17.61	6.46	3	4.63	7.63	7.5	10.5		
SW-100	X		19.57	17.61	6.46	3	4.63	7.63	7.5	10.5		
SW-150	X		19.92	18.67	7.32	3	4.63	7.63	7.5	10.5		
SW-200	X		20.47	18.67	7.32	3	4.63	7.63	7.5	10.5		

